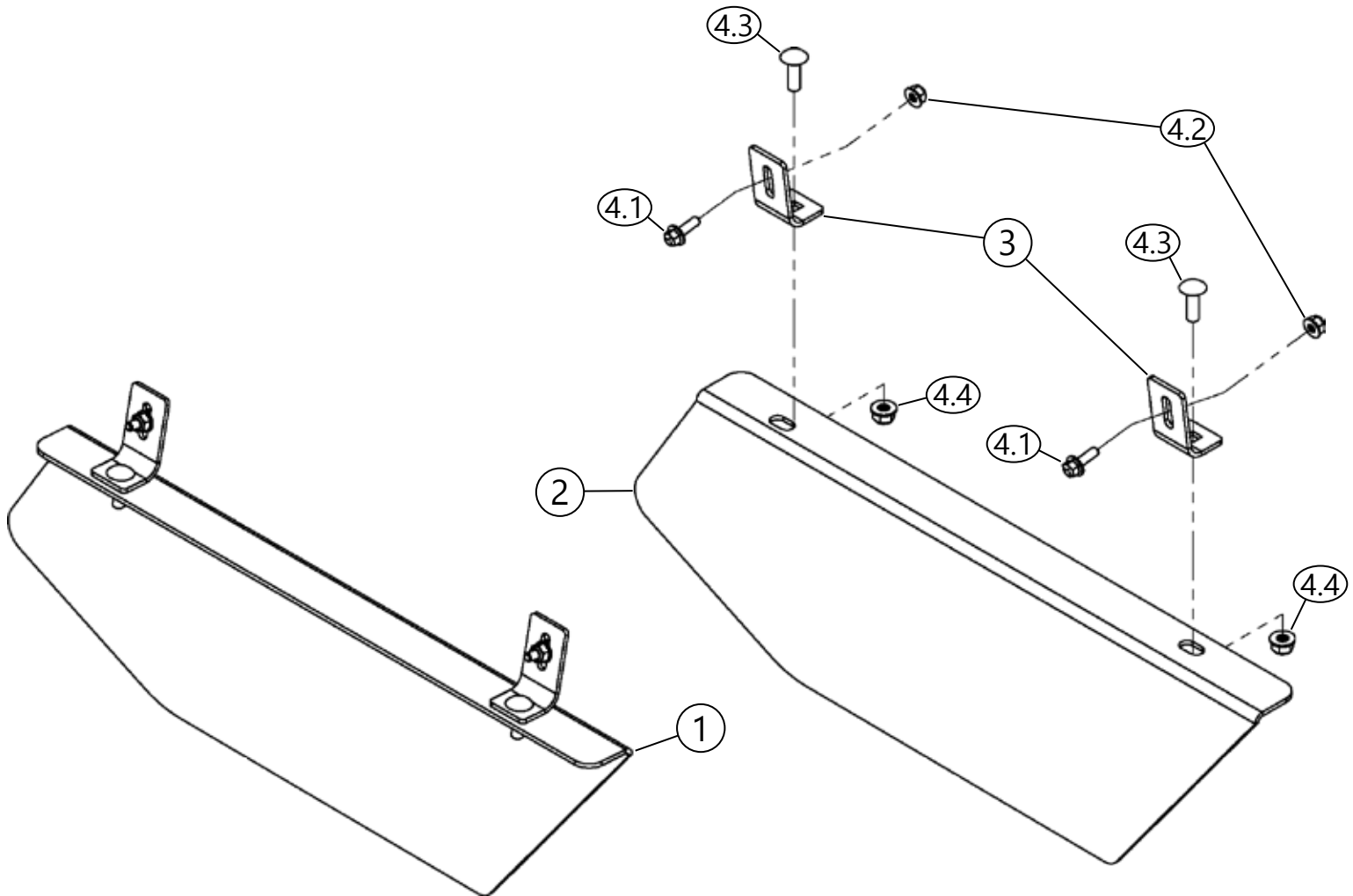


HONDA TALON 1000-4

REAR LOWER DOORS

Lower Door

PART #101845



Kit Components:			
Item	Qty.	Description	
1	101847	1	Passenger Side Rear Lower Door
2	101846	1	Driver Side Rear Lower Door
3	101629	4	Door Bracket
4	HK-360	1	Hardware Kit

Kit Components:			
Item	Qty.	Description	
4.1	---	6	1/4"-20 X .75 Hex Flange Bolt
4.2	---	6	1/4"-20 Hex Flange Nylock Nut
4.3	---	6	5/16"-16 X 1.00 Carriage Bolt
4.4	---	6	5/16"-18 Hex Flange Nylock Nut



INSTALLATION INSTRUCTIONS

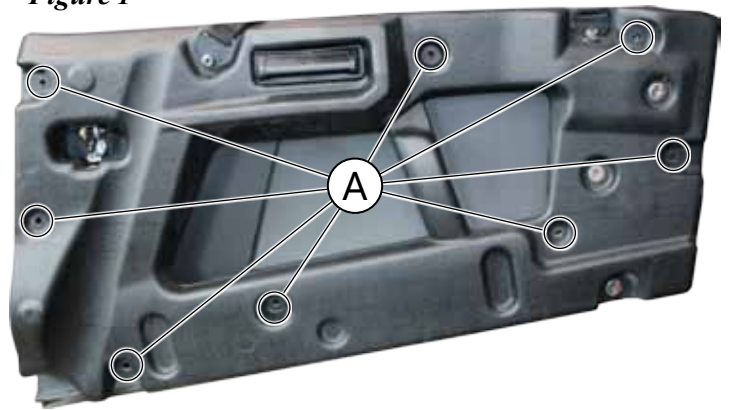
Note: Make sure all hardware needed to complete this mount is in the package. Thoroughly read through and understand the instructions before installing.

Note: All steps and images shown in this manual are for the passenger side rear door. Steps 1-7 will be repeated for driver side door.

1. Remove the 8 phillips head screws (A) on the inner door panel and remove the outer door panel as shown in **Figure 1**. **Note:** The door will have to be closed for the outer door panel to be removed.
2. Set Door Brackets (3) in place and center the slot of the bracket up with the indents in the door panel as shown in **Figure 2 & 3**.
3. Using a 9/32" drill bit, drill a hole through the door panel using the indents in the door panel as a guide or approximately 1/2" up from the bottom of the slot in Door Brackets (3) as shown in **Figure 2 & 3**.
4. Once all holes are drilled through the door panel, mark the center of the square hole on the bottom flange in Door Bracket (3) nearest the door hinge. Remove Door Bracket (3) and drill a 11/32" hole using the mark as a guide.
5. After all holes have been drilled, set Door Brackets (3) back in place as shown in **Figure 2** and fasten all brackets to the door panel using bolts (4.1) and nuts (4.2) by inserting the bolt from the outside in as shown in **Figure 4**. **Note:** Be sure that Door Brackets (3) are seated down tight to the bottom of the door before tightening.
6. Once all Door Brackets (3) have been fastened to the door panel, hold Lower Passenger Door (1) in place and fasten using Bolts (4.3) and Nuts (4.4) by inserting the bolt from the top down as shown in **Figure 4**. **Note:** Both Lower Doors are slotted and can be moved in and out to your preference.
7. Tighten all hardware evenly and re-install outer door panel removed in Step 1.

Note: If front to back adjustment is needed on lower doors, remove the door hinge panel and adjust as needed.

"Figure 1"



"Figure 2"

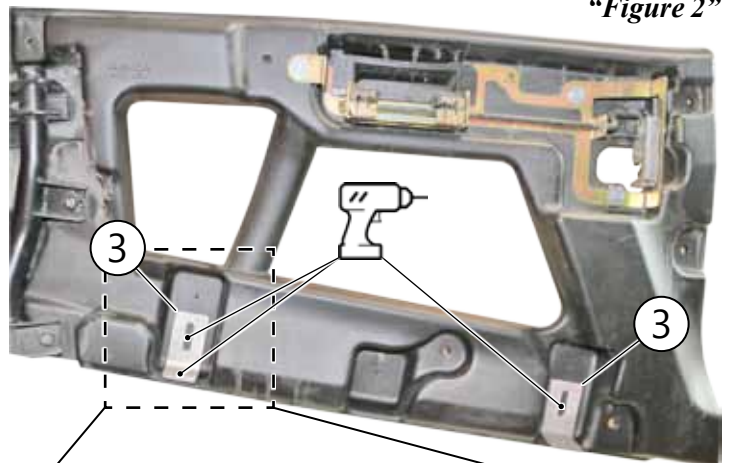
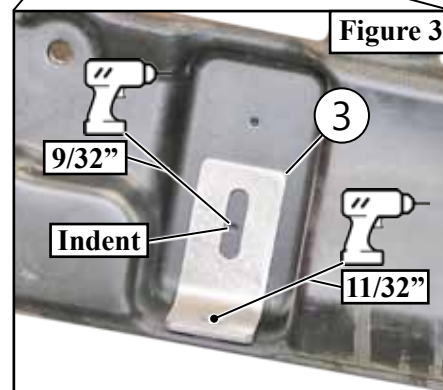


Figure 3



"Figure 4"

