

Thank you for purchasing a National Cycle® product. Please read these instructions carefully and thoroughly before beginning work. Dealers if installing this product for a customer please give them this manual. It contains information needed to properly maintain and use this product.

Report any missing parts directly to National Cycle, Inc. There is important code information located on the back of the the package that will be necessary when reporting missing parts.

Attention



Special notes and cautionary measures which can prevent damage to the accessory or motorcycle.

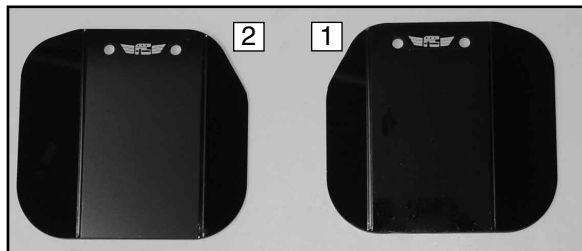
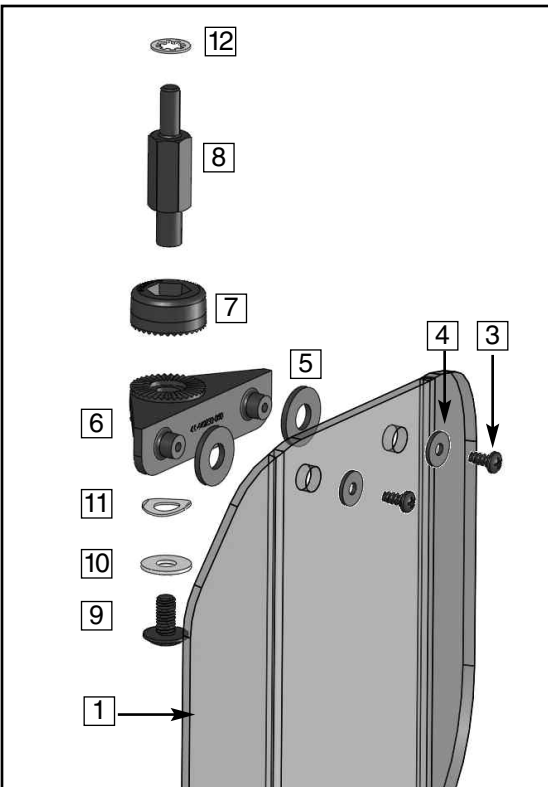
Note



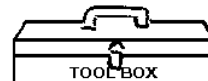
Tips for facilitation of operation, control and adjustment, as well as maintenance.

PARTS LIST

Item	Part Number	Description	Qty.	Note
1		Wing Deflector, Mirror, Left, Dark Tint	1	Contained in N5108
2		Wing Deflector, Mirror, Right Dark Tint	1	Contained in N5108
1		Wing Deflector, Mirror, Left, Light Tint	1	Contained in N5110
2		Wing Deflector, Mirror, Right Light Tint	1	Contained in N5110
BAG#1007				
3	55-585020-000	Screw, Self Tapping	4	
4	49-490080-000	Washer, M3	4	
5	75-762015-000	Washer, Neoprene	4	
6	44-440230-050	Ratchet Mount	2	
7	44-440232-050	Ratchet Base	2	
8	34-340265-000	Standoff	2	
9	55-581004-000	Screw, 10-32 x 3/8"	2	
10	49-492700-000	Washer, Fender #10	2	
11	49-491610-000	Washer, Wave	2	
12	49-490123-000	Washer, M5 Internal Lock	2	




Right and Left side of Motorcycle is determined while sitting on the bike.



#2 Philips Screwdriver
3/8" Socket and Torque Wrench
Thread locker (Loctite 271 high strength or equivalent, not shown)
#1 Philips Screwdriver

PREPARATION AND REMOVAL OF PARTS

1. Position motorcycle securely on center stand or side stand.
2. Remove the stock screw from the underside of the right mirror.
(#2 Philips Screwdriver) Figure 1

 The screws will not be reused.

INSTALLATION OF BRACKET

1. Apply a small amount of thread lock to the outside thread of the Standoff.
2. Place an Internal Lock Washer onto the Standoff. Replace the screws removed in Step 1 with the threaded fastener. Tighten to Torque to 4.5 ft/lb (6Nm). **(3/8" Socket) Figure 2 and 3**
3. Push Ratchet Base, item 7 onto the end of the Standoff.
Figure 3
4. Apply a small amount of thread lock to the 10 x 3/8" Screw.
(Thread Locker)
5. Assemble parts on the Screw in this order:

- Item 9, Screw
- Item 10,#10 Washer
- Item 11, Wave Washer
- Item 6, Ratchet Mount

Figure 3

6. Install assembly onto the end of the Standoff and tighten securely. **Figure 3**
7. Repeat procedure for Left side of motorcycle.

INSTALLATION OF MIRROR WING DEFLECTOR

1. Place a rubber washer onto each boss on Ratchet Mount.
Figure 3
2. Place a Deflector onto the Ratchet Mount. Secure with a M3 Washer and Self Tapping Screw. **(#1 Philips screwdriver) Figure 3 and 4**
3. Tighten firmly, do not overtighten. **6 in/lb (.7Nm)**
4. Repeat procedure for Left side of motorcycle.



Figure 1

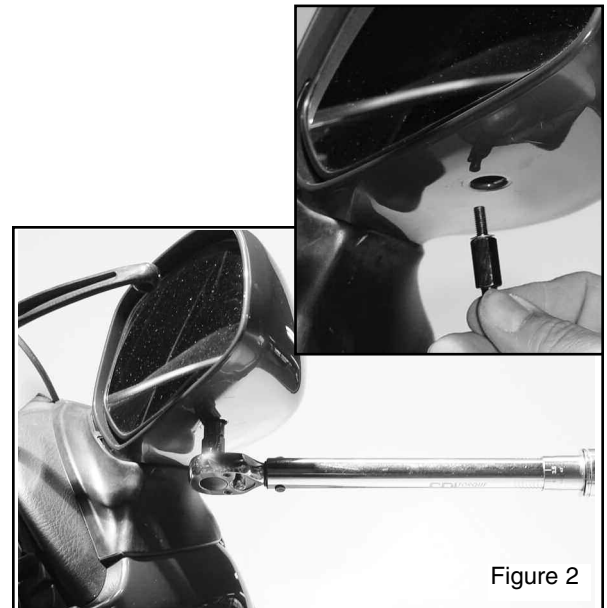


Figure 2

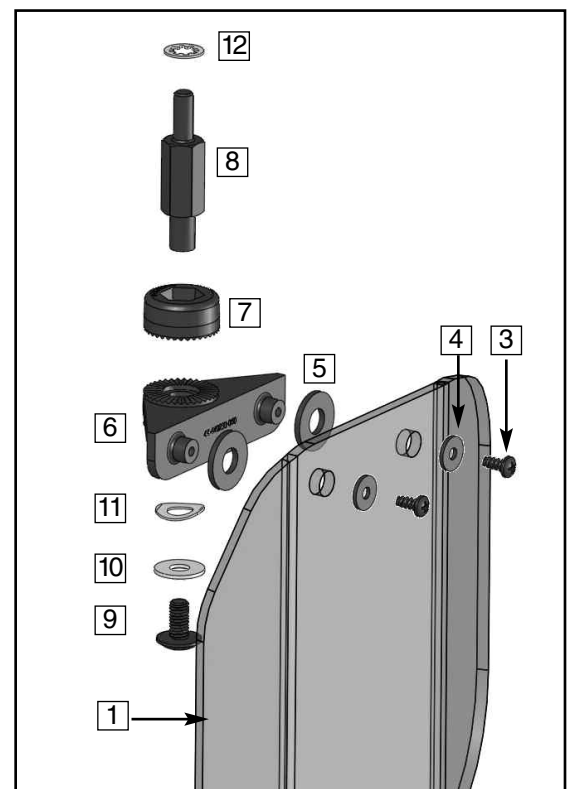



Figure 3

CHECK CLEARANCES

 Gently turn handle bar left and right to full fork lock to assure that no interference occurs between the Wing Deflector and any part of the motorcycle or other accessory mounted to the motorcycle. Make adjustments or remove accessory as necessary.

USING YOUR WING DEFLECTORS

1. In cold and or wet weather close deflectors up to faring for maximum wind and rain deflection.
2. In moderate to hot weather open deflectors for desired air flow.
3. For ultimate performance use wing deflectors in conjunction with our faring mounted deflectors and VStream® windshield.



Figure 4

MAINTENANCE

Cleaning: Wash with a clean soft cloth, plenty of warm water and, if necessary, a non-abrasive soap such as dishwashing. Do not allow brake fluid, alcohol, or strong solvents to contact the plastic. National Cycle Windshield Wash Part number N1401 is recommended for everyday cleaning. Product is supplied with a handy travel size container and rag for easy storage on the motorcycle. Inquire with your local dealer or visit: www.nationalcycle.com



National Cycle 3-Year Limited Warranty

Register your Wing Deflectors on Line at: www.nationalcycle.com/register.html

Customer Service, National Cycle, Inc. / PO Box 158 / Maywood, IL 60153 / USA 708/343/0400

National Cycle hereby warrants to the original registered owner of a National Cycle polycarbonate product for a period of three years from the date of purchase against breakage. This limited warranty is expressly limited to the replacement of the polycarbonate deflectors. This limited warranty does not include scratches, coating failure, cosmetic wear and tear, replacement of hardware, or any consequential damages or expenses including labor cost of installation, removal and/or replacement, inconvenience, inbound freight expenses or damage to any other component of the motorcycle or any other accessories. Certain chemicals, generally known as acidic hydrocarbons, are known to cause polycarbonate damage and will not be covered under this limited warranty. Please refer to the cleaning instructions supplied.

WARNING

Never ride your motorcycle with loose accessory mounting hardware. Check the hardware for tightness regularly.

Today's motorcycles are built with enough frame rigidity to withstand the moderate loads imposed on them by the foreseeable addition of an accessory. If the accessory(ies) adversely affects your motorcycle's stability, immediately remove the accessory(ies). Do not ride a motorcycle that exhibits unsafe handling traits.

Have experienced service personnel correct any problem before riding with the accessory(ies) installed. For further questions concerning handling problems associated with an accessory(ies), contact your dealer, motorcycle manufacturer, or accessory manufacturer.