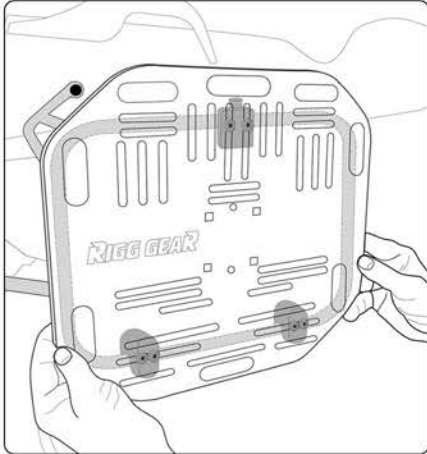
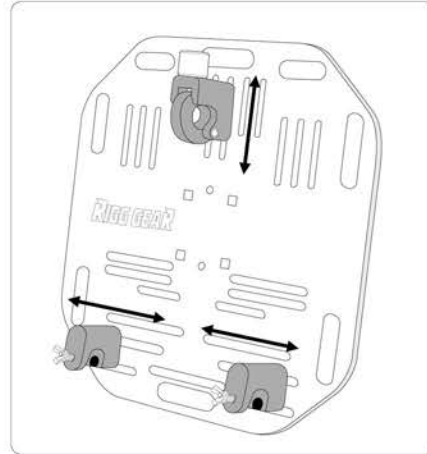


Quick Release Saddlebag Plate

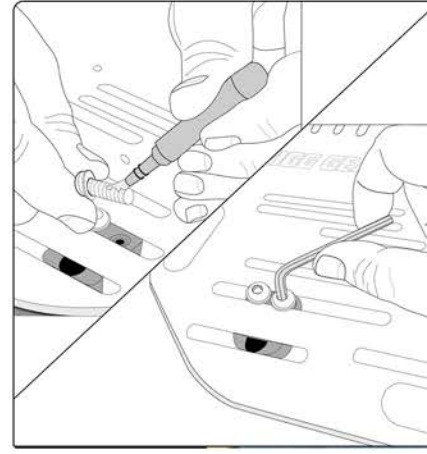
Please read the instructions carefully. If any part of these instructions are not clear, or not understood, please call Nelson Rigg or consult a qualified or experienced mechanic / technician. Below diagrams show typical installation, your vehicle may be different so please use diagrams as a guide. Make sure your vehicle is clean and free from dirt, road grime etc. where the this product mounts. It is the riders responsibility to make sure the product is mounted and secure before each use. Loading the bag may result in a change of position, always check for proper mounting position after loading and before each and every ride.



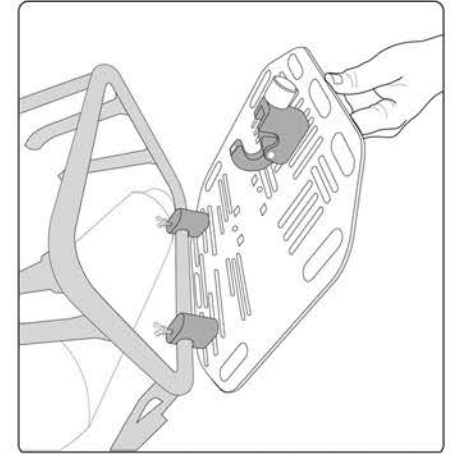
1. Hold the luggage plate up to the pannier rack to determine the optimal mounting location.



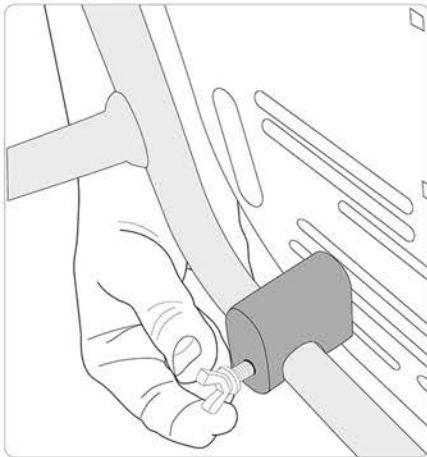
2. The mounting feet and top latch can be moved and or adjusted to find the best mounting location. Once in place, lightly tighten each bolt.



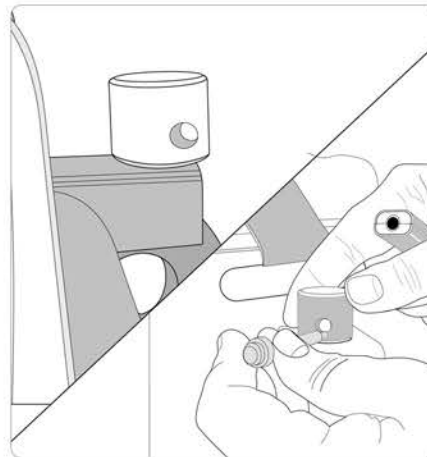
3. Remove the plate and set on a stable surface. One at a time, remove each bolt and add a small amount of the included thread lock and reinstall. Tighten each bolt before installation.



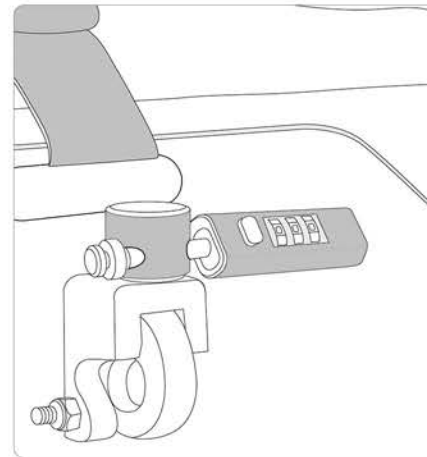
4. To attach to your rack, set the feet in place then push the top into the rack until you hear a click and the pull knob is flush with the top latch. In most cases, the latch will close automatically. Always make sure the top latch is clicked into place before each ride.



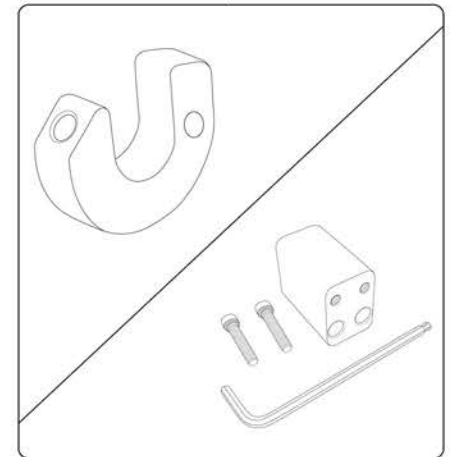
5. Once the plate is latched closed, you can slide the plate left to right to center on your rack. Once in desired position, tighten the stabilization screws located on each of the mounting feet. The plate should have little to no movement when installed correctly.



6. To use an optional lock, rotate the quick release knob until the hole of the body aligns with the slot inside the knob.



7. Slide your lock into the hole and lock into place. We find that using a gun case lock that has a minimum shaft length of 1" when closed works best for minimal movement of the lock while on the trails.

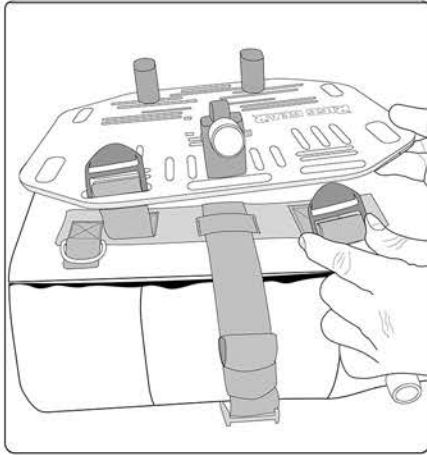


8. For racks with an offset for exhaust like on a BMW GS, use the optional aluminum extension. For 20mm rack tubing like Tusk racks, use optional larger catch. Scan QR code for more info or visit our website.

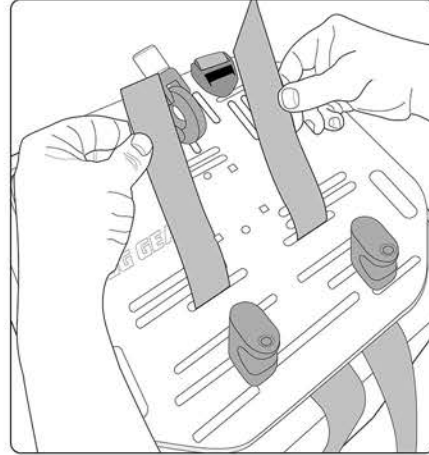


Quick Release Saddlebag Plate

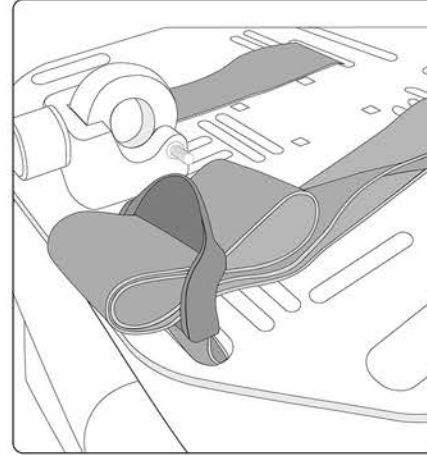
RG-QRP



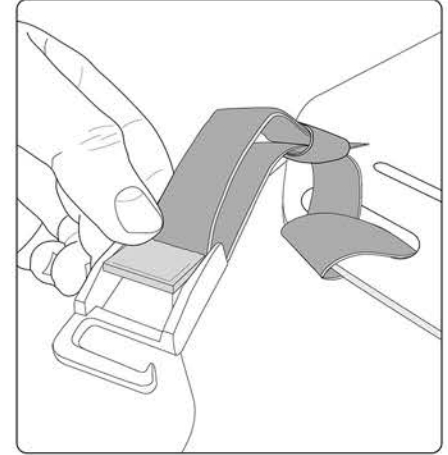
Lay saddlebag face down on table or work surface. Pull the large 2" tension lock buckles through the slots on the top of the plate.



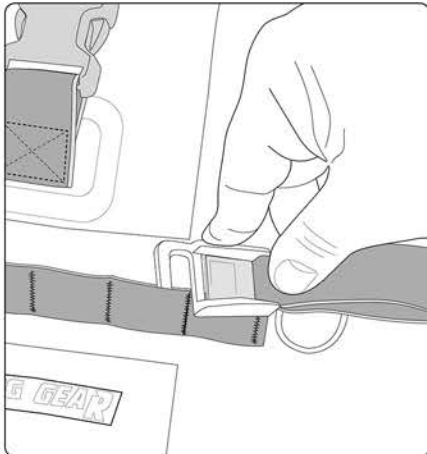
Run one of the throw-over straps through any of the lower horizontal cutouts directly below the 1.5" buckles and pull to remove slack.



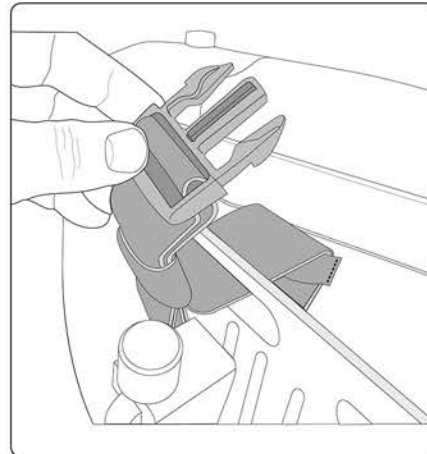
Fold the 1.5" web strap over itself, insert into and through the tension lock buckle and only snug down not fully tighten.



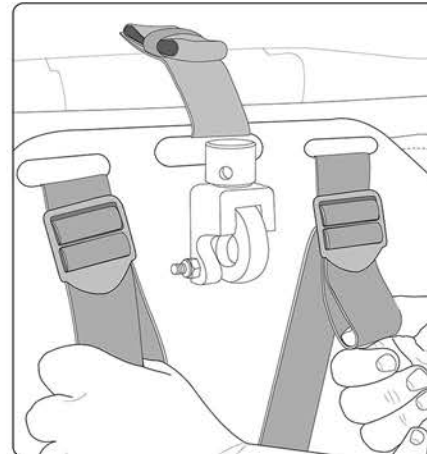
Run each of the side straps with cam buckle through side slots on the plate.



Reconnect cam buckles to one of the MOLLE loops on the bag. Center the bag and snug down the straps.



Pass the large roll top buckle through the center top opening in rack and reconnect buckle.



Pull down and tighten on the throw over straps using the loops made by folding the strap.



Before each use, make sure every strap is tight and the bag has very little to no movement.

WARNING. PLEASE READ

Read the installation instructions and make yourself familiar with the process of installing the Nelson-Rigg® product(s) on your bike. It is your responsibility to mount the product correctly and securely as outlined in these instructions. Nelson-Rigg® products are intended for use at USA street legal speeds as posted by the individual States. Nelson-Rigg® luggage must not be overloaded. Max carrying capacity is 30 lbs per bag or the maximum load suggested by the manufacturer of the vehicle, whichever is less. Failure to adhere to these warnings may result in, but not be limited to: the luggage becoming detached, the product becoming tangled in moving parts of the vehicle, unstable vehicle dynamics, reduction in the ability to control the vehicle. The result(s) of could lead to serious injury. Always ride safely, adhering to the local highway regulations. Always wear a helmet and protective apparel.



Scan QR code for more information and watch the video on how to install these Quick release Plates



3518 W Lake Center Drive, Ste A
Santa Ana, CA 92704 USA
Tel (714)850-1811
e-mail: info@nelsonrigg.com
www.nelsonrigg.com